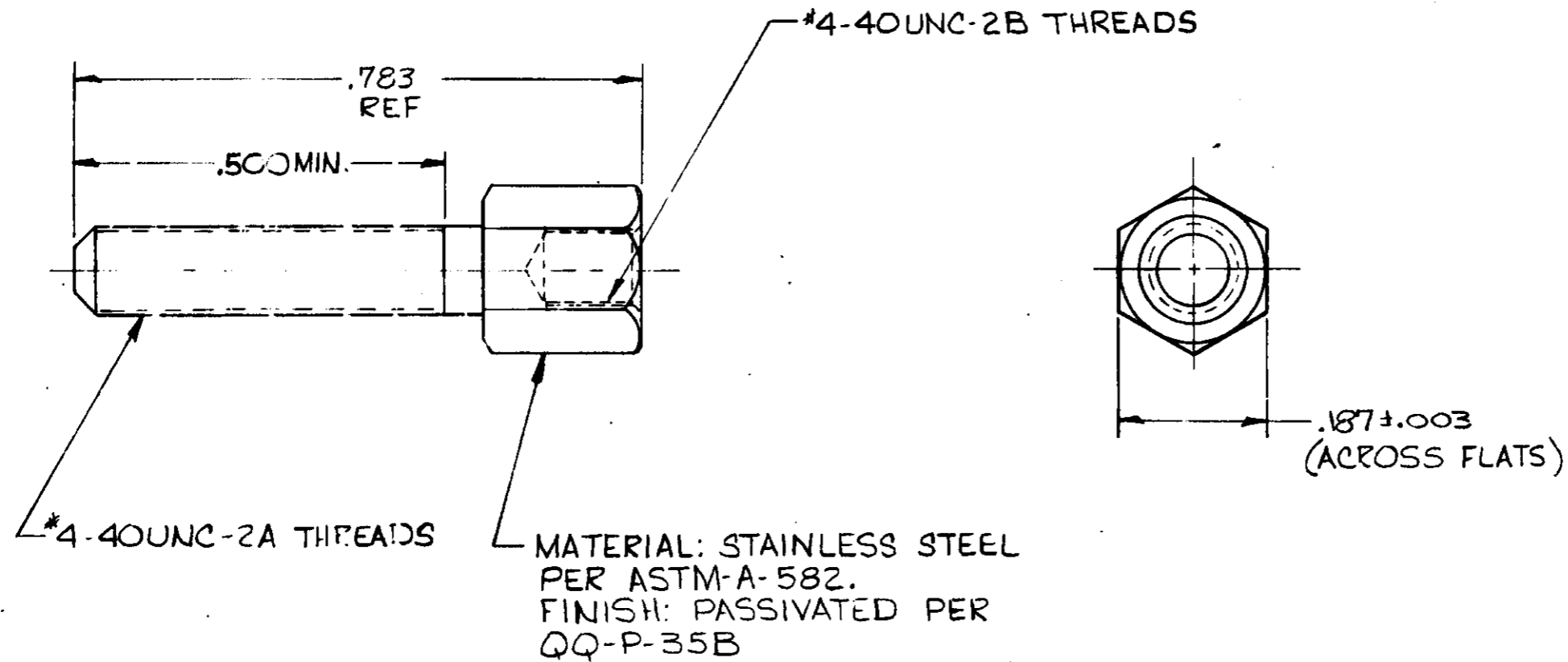


THIS DRAWING IS UNPUBLISHED. RELEASED FOR PUBLICATION, 19  
 © COPYRIGHT 19 BY AMP INCORPORATED, HARRISBURG, PA. ALL INTERNATIONAL RIGHTS RESERVED. AMP PRODUCTS MAY BE COVERED BY U.S. AND FOREIGN PATENTS AND/OR PATENTS PENDING.

REVISIONS					DATE	APPROVED
P	F	ZONE	LTR	DESCRIPTION		
/	/		0	RELEASED	2/28/84	<i>[Signature]</i>



UNLESS OTHERWISE SPECIFIED DIMENSIONS ARE IN INCHES. TOLERANCES ON: DECIMALS ± .001 ANGLES ± .015		CONTRACT NO		AS SHOWN		212452-1	
MATERIAL SEE CALLOUTS		DR R. G. [Signature] 2-27-84		DESCRIPTION		PART NO	
FINISH SEE CALLOUTS		CHK [Signature] 2-28-84		NAME		AMP   AMP INCORPORATED Harrisburg, Pa.	
		APPD [Signature] 2-29-84		DRAWING NO		212452	
		DSC & APPD		SIZE B		FSCM NO 00779	
		OTHER APPD		SCALE NTS		SHEET 1 OF 1	